

# LEVEL RAILING INSTRUCTIONS

**STOP!**

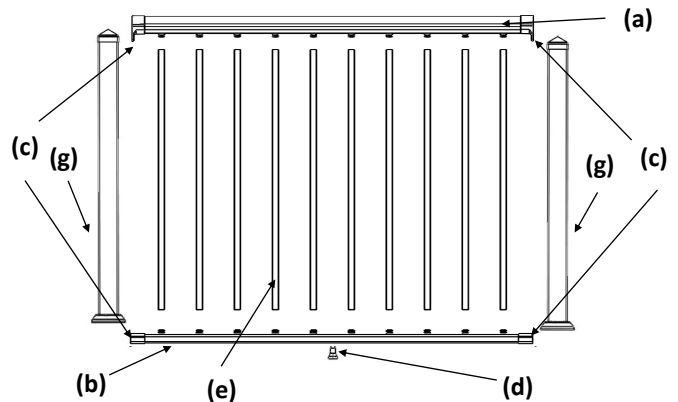
**CHECK ALL LOCAL BUILDING CODES BEFORE YOU BEGIN!**

## 1 Gather necessary tools before installation (check box)

- |   |   |  |  |
|---|---|--|--|
| <input type="checkbox"/> Pencil                   | <input type="checkbox"/> Miter saw          | <input type="checkbox"/> #2 Phillips bit | <input type="checkbox"/> <u>Recommended—Power lag</u>  |
| <input type="checkbox"/> Tape measure             | <input type="checkbox"/> Right angle driver | <input type="checkbox"/> Clamps          | <input type="checkbox"/> <u>Recommended—De Walt</u>    |
| <input type="checkbox"/> Level                    | <input type="checkbox"/> #1 Square bit      | <input type="checkbox"/> Speed square    | <input type="checkbox"/> <u>DWARA 100 Impact Ready</u> |
| <input type="checkbox"/> Cordless drill or impact | <input type="checkbox"/> #2 Square bit      | <input type="checkbox"/> String line     | <input type="checkbox"/> <u>Right Angle Attachment</u> |

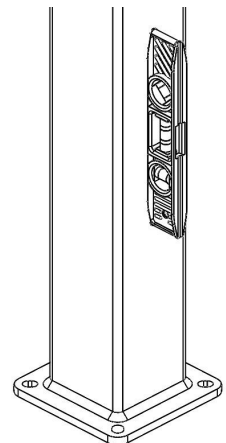
## 2 Make sure the following components are included (check box)

- 1—Top level rail w/ baluster connectors (a)
- 1—Bottom level rail w/ baluster connectors (b)
- 2—Top Level Bracket Kits (c)
- 1—Rail support w/ baluster (d)
- Balusters (10 for 4', 15 for 6', and 21 for 8') (e)
- #8x3/4" Pan Head Self Drilling Screws (f)
- \*Posts, caps, and bases are sold separately (g)



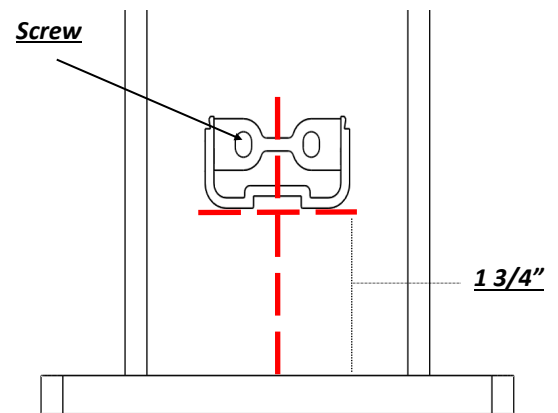
## 3 Aluminum Post Installation

- Determine location of all posts prior to installing deck boards .
- Add blocking where necessary to support proper post installation.
- Insert the composite shims included with your posts under the post base, using a level to make sure your posts are level.
- Secure posts by first pre-drilling and then using 2<sup>1/2</sup>" lag bolts with washers to fasten through the decking and into the framing structure/blocking to hold the posts in place.
- Cut or break off the shims.



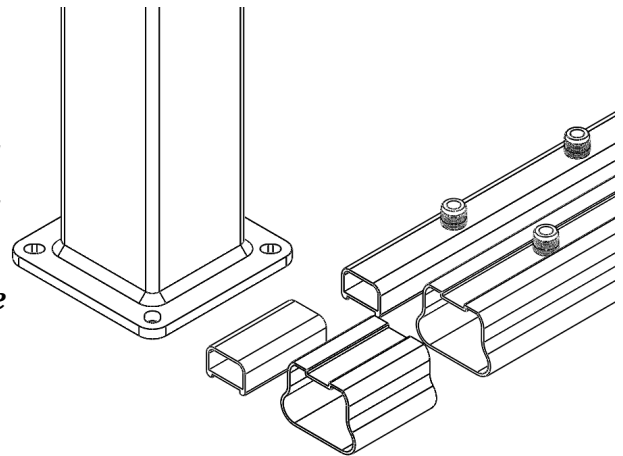
## 4 Bracket Placement

- Measure 1 3/4" from bottom of baseplate and draw a line (shown by horizontal dashed line). If using a post sleeve, measure 2" from bottom of sleeve.
- Measure to the center of your post and draw a line (shown by vertical dashed line).
- Center the bracket with the vertical line.
- Match up the bottom of the bracket with the horizontal line.
- Use provided #8-3/4" self-tapping pan head screws to secure bracket onto post through the 2 screw holes.



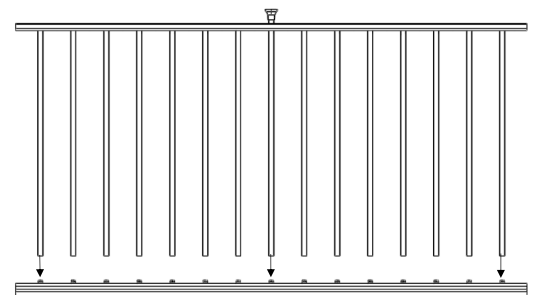
## 5 Measure & Cut Aluminum Rails

- Lay your bottom rail on the deck centered between two posts.
- Mark a line where the post is on both sides of the rail.
- Measure back 1/2" from the first line and mark a cut line on both ends.
- Lay the top rail beside the bottom rail and line up the baluster connectors.
- Using the cut line from your bottom rail, mark a cut line on your top rail.
- Use a miter saw and cut the lines you have marked.



## 6 Railing Assembly

- Lay down a protective blanket or cardboard to protect the rail and place the top rail upside down.
- We suggest clamping the top rail to the deck or a work bench to keep it stable.
- Install the balusters on each of the baluster connectors, making sure they are tight against the rail. Use a rubber mallet if needed to tap them in place.
- Install the bottom rail, making sure all of the balusters line up. Use a rubber mallet to tap the rail onto the balusters.
- Attach the rail support baluster to the bottom rail and tap on with a rubber mallet.



## 7 Attach Railing to Posts

- **IF USING ONE PIECE BASE TRIM, PUT BASE TRIM ON NOW. IF USING 2 PIECE BASE TRIM, BASE TRIM CAN BE ADDED AT THE END OF INSTALLATION.**
- **Remove the clamps and flip the railing over.**
- **Peel back the plastic protective cover from the top rail 3" to 4" on both ends.**
- **Slide bottom caps and top brackets on to rails.**
- **Place racked rail section onto bottom brackets.**
- **Slide caps into place.**
- **Use provided hardware to secure top brackets to post.**
- **Adjust the rail support baluster(s) to brace the railing and use the supplied hardware to hold it in place.**
- **Remove the rest of the protective film from the top of the top railing.**
- **If you have a two piece post base cover, install those onto the base of the posts using the supplied hardware.**
- **To finish the installation, apply a bead of silicone to hold that caps in place and place the post caps on top of the posts.**

